

6200 Straight Round Entrance Pull Handles



Advantages at a glance

- 316 Marine Grade Stainless Steel
- Designed with your project's needs in mind
- High durability with concealed fixings
- Standard finishes: SSS and PSS
- Powdercoat and custom finishes available on request



AS1428 Compliant

dormakaba's Straight Round Entrance Pull Handles crafted with precision and excellence in mind, these handles are designed to elevate your space with their superior quality and attention to detail.

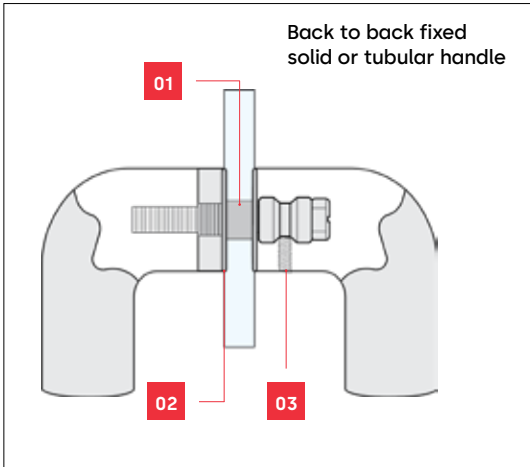
Made from premium 316 Marine Grade Stainless Steel, these handles are built to withstand the test of time, offering unmatched corrosion resistance for both indoor and outdoor use, even in high traffic areas. The straight round section design ensures effortless functionality, providing comfortable grip and ease of use.

Ideal for a variety of settings, from residential to commercial, these handles are versatile enough to be installed on glass, timber, and aluminium doors. Elevate your entrances with dormakaba's Straight Round Entrance Pull Handles and experience genuine quality that stands out in any space.

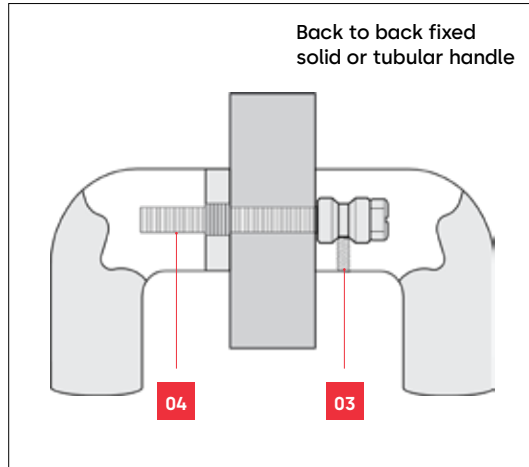
Refer to ordering details for a range of optional accessories to suit:

- Back to back extended fixing for timber doors
- Back to back fixing for glass doors
- Disc fixing for timber doors
- Disc fixing for glass doors
- Concealed fixing for timber doors

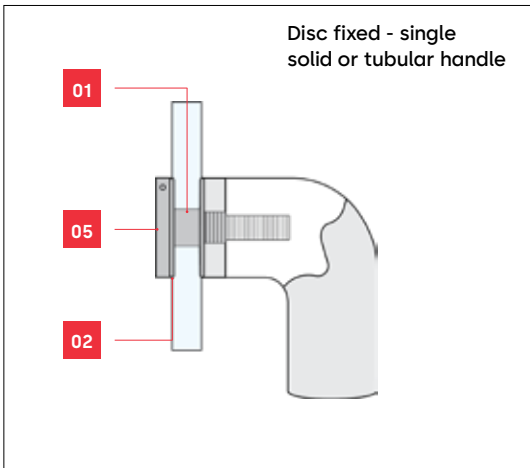
Fixing options



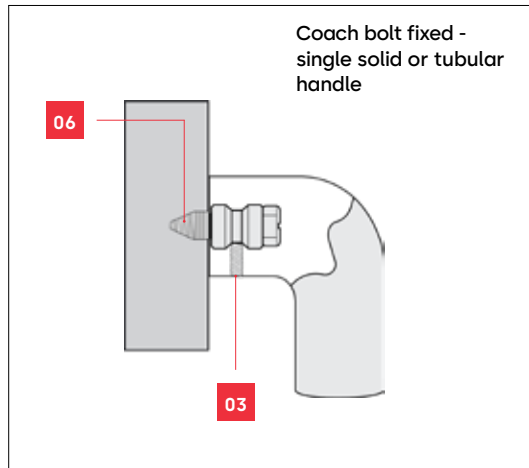
GD FIX - glass doors



TM FIX - timber or metal doors



D FIX - glass, metal or timber doors



C FIX - timber doors only

TIMBER DOOR FIXING

Material Size	Bolt Size
14mm Ø	5mm
16mm Ø	5mm
19mm Ø	8mm
25mm Ø	8mm
32mm Ø	8mm

METAL DOOR FIXING

Material Size	Bolt Size
14mm Ø	5mm
16mm Ø	5mm
19mm Ø	8mm
25mm Ø	8mm
32mm Ø	8mm

GLASS DOOR FIXING

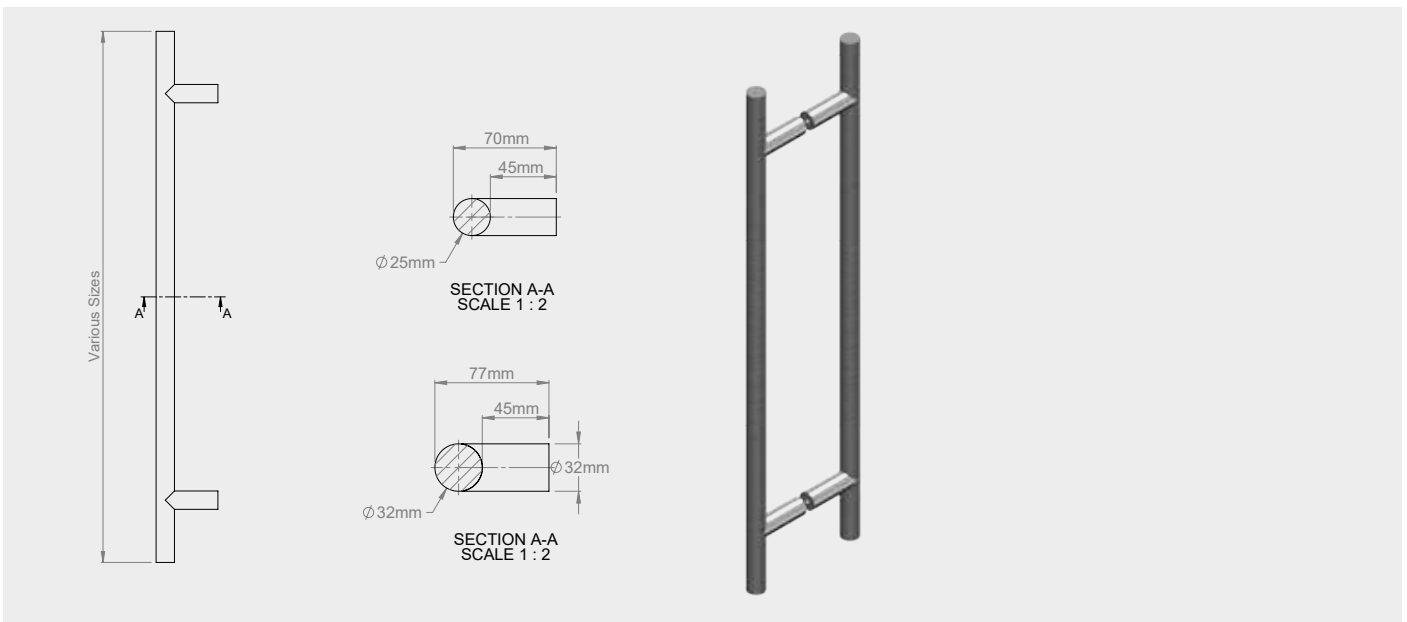
Material Size	Bolt Size
14mm Ø	12mm Ø
16mm Ø	12mm Ø
19mm Ø	12mm Ø
25mm Ø	12mm Ø
32mm Ø	12mm Ø

Note

Nylon spacers and washers are included with handle for glass door fixing option.

Legend

- 01** Spacer
- 02** Washer
- 03** Grub Screw
- 04** Bolt
- 05** Disc
- 06** Coach Bolt



6200 Straight Round dimensions

Ordering details

Item	Article Number	Description	Diameter	Projection	Overall Length	Fixing Centres
BACK TO BACK FIXING						
B6200/S/25/SSS	9457203894101	B6200/S/25 OA 600 CTC 440 SSS	25mm	70mm	600mm	440mm
B6200/S/25/PSS	9457203894102	B6200/S/25 OA 600 CTC 440 PSS	25mm	70mm	600mm	440mm
B6200/S/25 SF	9400000016438	B6200/S/25 OA 600 CTC 440 SF	25mm	70mm	600mm	440mm
B6200/O/25/SSS	9457206084101	B6200/O/25 OA 1000 CTC 840 SSS	25mm	70mm	1000mm	840mm
B6200/O/25/PSS	9457206084102	B6200/O/25 OA 1000 CTC 840 PSS	25mm	70mm	1000mm	840mm
B6200/O/25 SF	9400000016436	B6200/O/25 OA 1000 CTC 840 SF	25mm	70mm	1000mm	840mm
B6200/M/25/SSS	9457206894101	B6200/M/25 OA 1200 CTC 1040 SSS	25mm	70mm	1200mm	1040mm
B6200/M/25/PSS	9457206894102	B6200/M/25 OA 1200 CTC 1040 PSS	25mm	70mm	1200mm	1040mm
B6200/M/25 SF	9400000016434	B6200/M/25 OA 1200 CTC 1040 SF	25mm	70mm	1200mm	1040mm
B6200/S/32/SSS	9457203895101	B6200/S/32 OA 600 CTC 440 SSS	32mm	77mm	600mm	440mm
B6200/S/32/PSS	9457203895102	B6200/S/32 OA 600 CTC 440 PSS	32mm	77mm	600mm	440mm
B6200/S/32 SF	9400000016439	B6200/S/32 OA 600 CTC 440 SF	32mm	77mm	600mm	440mm
B6200/O/32/SSS	9457206085101	B6200/O/32 OA 1000 CTC 840 SSS	32mm	77mm	1000mm	840mm
B6200/O/32/PSS	9457206085102	B6200/O/32 OA 1000 CTC 840 PSS	32mm	77mm	1000mm	840mm
B6200/O/32 SF	9400000016437	B6200/O/32 OA 1000 CTC 840 SF	32mm	77mm	1000mm	840mm
B6200/M/32/SSS	9457206895101	B6200/M/32 OA 1200 CTC 1040 SSS	32mm	77mm	1200mm	1040mm
B6200/M/32/PSS	9457206895102	B6200/M/32 OA 1200 CTC 1040 PSS	32mm	77mm	1200mm	1040mm
B6200/M/32 SF	9400000016435	B6200/M/32 OA 1200 CTC 1040 SF	32mm	77mm	1200mm	1040mm
D6200/S/25/SSS	9457203894301	D6200/S/25 OA 600 CTC 440 SSS	25mm	70mm	600mm	440mm
D6200/S/25/PSS	9457203894302	D6200/S/25 OA 600 CTC 440 PSS	25mm	70mm	600mm	440mm
D6200/S/25 SF	9400000016527	D6200/S/25 OA 600 CTC 440 SF	25mm	70mm	600mm	440mm
D6200/O/25/SSS	9457206084301	D6200/O/25 OA 1000 CTC 840 SSS	25mm	70mm	1000mm	840mm
D6200/O/25/PSS	9457206084302	D6200/O/25 OA 1000 CTC 840 PSS	25mm	70mm	1000mm	840mm
D6200/O/25 SF	9400000016525	D6200/O/25 OA 1000 CTC 840 SF	25mm	70mm	1000mm	840mm
D6200/M/25/SSS	9457206894301	D6200/M/25 OA 1200 CTC 1040 SSS	25mm	70mm	1200mm	1040mm
D6200/M/25/PSS	9457206894302	D6200/M/25 OA 1200 CTC 1040 PSS	25mm	70mm	1200mm	1040mm
D6200/M/25 SF	9400000016523	D6200/M/25 OA 1200 CTC 1040 SF	25mm	70mm	1200mm	1040mm
D6200/S/32/SSS	9457203895301	D6200/S/32 OA 600 CTC 440 SSS	32mm	77mm	600mm	440mm
D6200/S/32/PSS	9457203895302	D6200/S/32 OA 600 CTC 440 PSS	32mm	77mm	600mm	440mm
D6200/S/32 SF	9400000016528	D6200/S/32 OA 600 CTC 440 SF	32mm	77mm	600mm	440mm
D6200/O/32/SSS	9457206085301	D6200/O/32 OA 1000 CTC 840 SSS	32mm	77mm	1000mm	840mm
D6200/O/32/PSS	9457206085302	D6200/O/32 OA 1000 CTC 840 PSS	32mm	77mm	1000mm	840mm
D6200/O/32 SF	9400000016526	D6200/O/32 OA 1000 CTC 840 SF	32mm	77mm	1000mm	840mm
D6200/M/32/SSS	9457206895301	D6200/M/32 OA 1200 CTC 1040 SSS	32mm	77mm	1200mm	1040mm
D6200/M/32/PSS	9457206895302	D6200/M/32 OA 1200 CTC 1040 PSS	32mm	77mm	1200mm	1040mm
D6200/M/32 SF	9400000016524	D6200/M/32 OA 1200 CTC 1040 SF	32mm	77mm	1200mm	1040mm
C6200/S/25/SSS	9457203894201	C6200/S/25 OA 600 CTC 440 SSS	25mm	70mm	600mm	440mm
C6200/S/25/PSS	9457203894202	C6200/S/25 OA 600 CTC 440 PSS	25mm	70mm	600mm	440mm
C6200/S/25 SF	9400000016505	C6200/S/25 OA 600 CTC 440 SF	25mm	70mm	600mm	440mm
C6200/O/25/SSS	9457206084201	C6200/O/25 OA 1000 CTC 840 SSS	25mm	70mm	1000mm	840mm
C6200/O/25/PSS	9457206084202	C6200/O/25 OA 1000 CTC 840 PSS	25mm	70mm	1000mm	840mm
C6200/O/25 SF	9400000016503	C6200/O/25 OA 1000 CTC 840 SF	25mm	70mm	1000mm	840mm
C6200/M/25/SSS	9457206894201	C6200/M/25 OA 1200 CTC 1040 SSS	25mm	70mm	1200mm	1040mm
C6200/M/25/PSS	9457206894202	C6200/M/25 OA 1200 CTC 1040 PSS	25mm	70mm	1200mm	1040mm
C6200/M/25 SF	9400000016501	C6200/M/25 OA 1200 CTC 1040 SF	25mm	70mm	1200mm	1040mm
C6200/S/32/SSS	9457203895201	C6200/S/32 OA 600 CTC 440 SSS	32mm	77mm	600mm	440mm
C6200/S/32/PSS	9457203895202	C6200/S/32 OA 600 CTC 440 PSS	32mm	77mm	600mm	440mm
C6200/S/32 SF	9400000016506	C6200/S/32 OA 600 CTC 440 SF	32mm	77mm	600mm	440mm
C6200/O/32/SSS	9457206085201	C6200/O/32 OA 1000 CTC 840 SSS	32mm	77mm	1000mm	840mm
C6200/O/32/PSS	9457206085202	C6200/O/32 OA 1000 CTC 840 PSS	32mm	77mm	1000mm	840mm
C6200/O/32 SF	9400000016504	C6200/O/32 OA 1000 CTC 840 SF	32mm	77mm	1000mm	840mm
C6200/M/32/SSS	9457206895201	C6200/M/32 OA 1200 CTC 1040 SSS	32mm	77mm	1200mm	1040mm
C6200/M/32/PSS	9457206895202	C6200/M/32 OA 1200 CTC 1040 PSS	32mm	77mm	1200mm	1040mm
C6200/M/32 SF	9400000016502	C6200/M/32 OA 1200 CTC 1040 SF	32mm	77mm	1200mm	1040mm

Ordering details

Item	Article Number	Description	Diameter	Length	Fixing Centres
ACCESSORIES - EXTENDED FIXINGS - sold as a pair					
TM/M8/50	9459508058200	M8/50 FERULE HEAD BOLT TM FIX	Note: When ordering extended fixings please use the below formula. Door thickness + 20mm for the Ferule + 10mm in to the other handle = round up to the nearest size offered.		• For single sided internal fixing, a disc fixing kit is required.
TM/M8/75	9459758078200	M8/75 FERULE HEAD BOLT TM FIX			
TM/M8/90	9400000012887	M8/90 BOLT & 16MM FERULE TM FIX			
TM/M8/100	9400000012888	M8/100 BOLT & 16MM FERULE TM FIX			
TM/M8/110	9459118118200	M8/110 BOLT & 16MM FERULE TM FIX			
TM/M8/120	9459128128200	M8/120 BOLT & 16MM FERULE TM FIX			
TM/M8/130	9459138138200	M8/130 BOLT & 16MM FERULE TM FIX			
TM/M8/150	9459158158200	M8/150 BOLT & 16MM FERULE TM FIX			
ACCESSORIES - GLASS FIXINGS - sold as a pair					
GF25/M8/50 RND	9459502588301	25 DIA RND GLASS FIXING PAIRS			
GF32/M8/50 RND	9459503288301	32 DIA RND GLASS FIXING PAIRS			
GDF25/M8/50 PSS	9459502588102	25MM GLASS DISK FIX PSS PAIR M8X50MM			
GDF25/M8/50 SSS	9459502588101	25MM GLASS DISK FIX SSS PAIR M8X50MM			
GDF32/M8/50 PSS	9459503288102	32MM GLASS DISK FIX PSS PAIR M8X50MM			
GDF32/M8/50 SSS	9459503288101	32MM GLASS DISK FIX SSS PAIR M8X50MM			

Any questions? We would be happy to advise you.

Contact us on: 1800 675 411